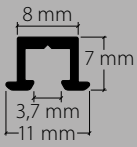
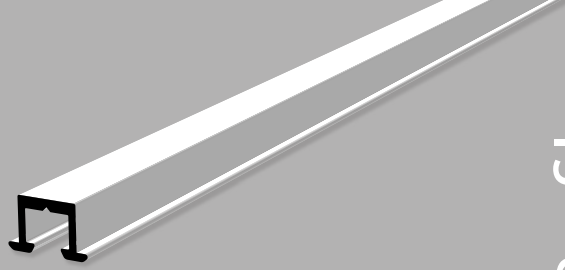


Piccolo slot curtain profile with "mini" channel

HM-104

"mini" curtain profile for slotting into curtain board.

Profil.

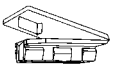


Aluminium, natural anodised

Aluminium, white, RAL 9016

Stock lengths of 6 m

"mini" accessories



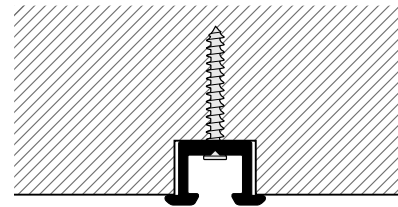
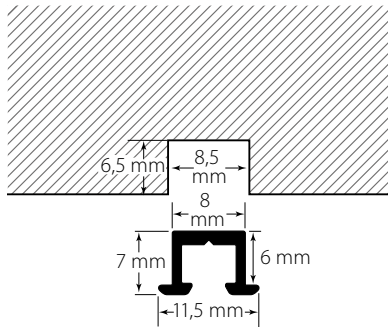
Installation accessories



Services

Made-to-measure including opening

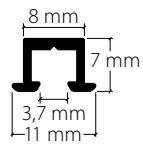
Installation



Profile drilled approx. every 12 cm Ø 2.5 mm
Installation with self-centring screws

Article description

Order no.

**"mini" slot curtain profile**

Aluminium, natural anodised, drilled

Aluminium, white, RAL 9016, drilled



Stock lengths of 6 m

Made-to-measure + 20%

**Plaster protection strip, plastic, white**

50 m rolls

**Self-centring screws, galvanised**

12 mm

15 mm

18 mm