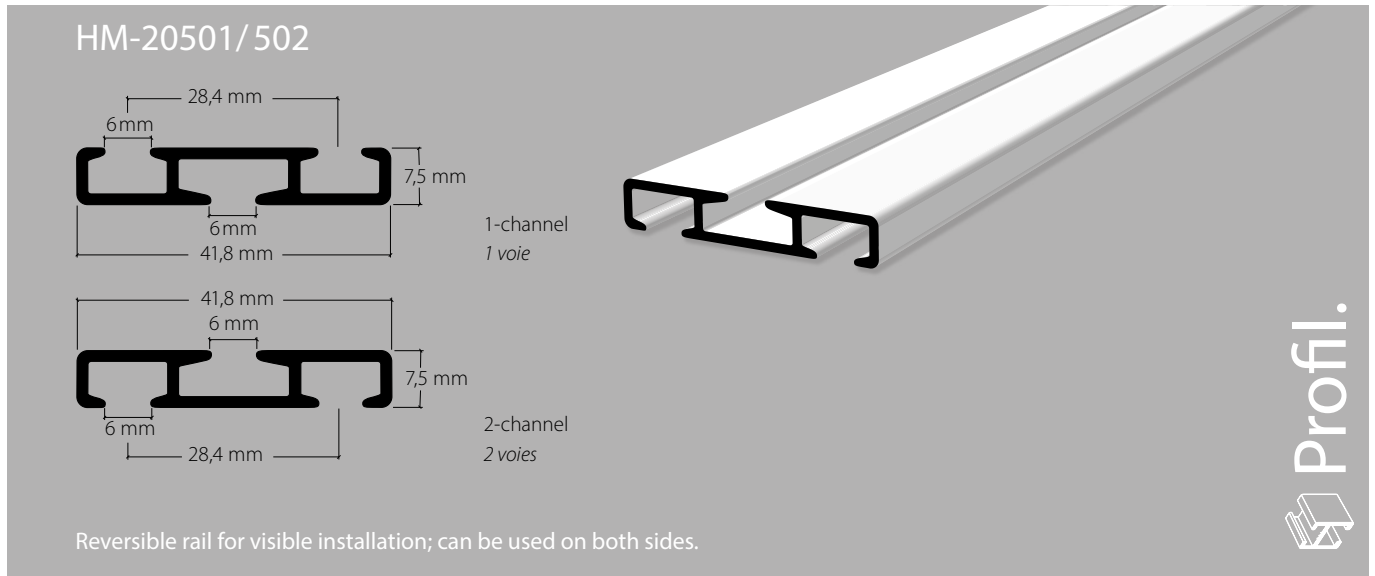






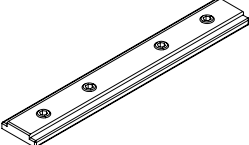


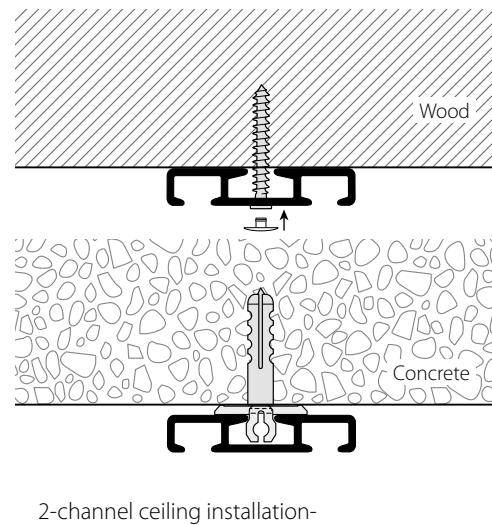
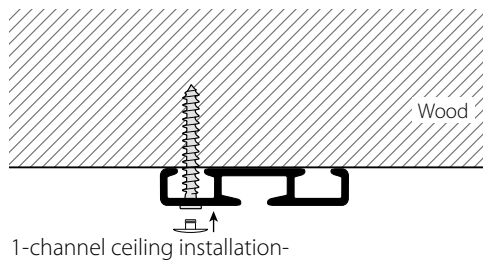
1- to 2-channel reversible rail with "maxi"/"sixo" channel



	Aluminium, natural anodised	Aluminium, white, RAL 9016	Stock lengths of 6 m
"maxi" accessories			 HC3 SIXO
Installation accessories			
Services	Made-to-measure including opening/insert, countersunk drill holes and mitre		
Bending service	This profile cannot be bent		

Installation instructions, see next page

Installation



Countersunk drill hole every 40-50 cm along profile, white cap

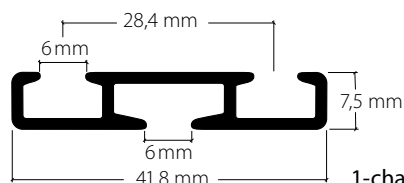
Ordering information:

Please state whether 1-channel HM-20501 or 2-channel HM-20502 is being used for drill holes

Opening / glider entry is only possible with "midi" punch head.

Article description	Order no.
---------------------	-----------

Reversible rail, can be used on both sides,
once 1-channel and reversed 2-channel,
countersunk drill holes



1-channel / 2-channel
Aluminium, natural anodised 20501.10

1-channel / 2-channel
Aluminium, white, RAL 9016 20501.20

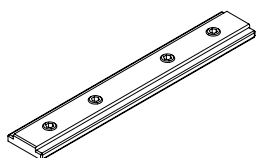
Drill hole for Topspan
universal screw 4.5 x ... 95.20801



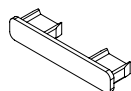
Stock lengths of 6 m

Made-to-measure + 20%

Opening / glider entry is only possible with "midi" punch head.

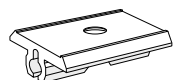


Profile connector V407, white plastic 21956.20







Side cap S502
Plastic, grey 21507.14

Plastic, white 21507.20



Clip for 2-channel profile HM-20502 21508.20

	Article description	Order no.
	<p>Topspan universal screw hex key, special head for white cap</p> <p>4.5 × 40 mm</p> <p>4.5 × 50 mm</p> <p>4.5 × 80 mm</p>	<p>55084</p> <p>55085</p> <p>55088</p>
	<p>Topspan cap 3.1 × 9.0 mm for Topspan screws</p> <p>Plastic, white</p>	<p>55091.20</p>
	<p><i>Clie</i> «sixo» “sixo” cross-bracket glider HC3 for profile channel width 5.8-6.2 mm</p>	<p>25503</p>
	<p><i>Clie</i> «sixo» “sixo” longitudinal bracket glider HC4 for profile channel width 5.8-6.2 mm</p>	<p>25504</p>